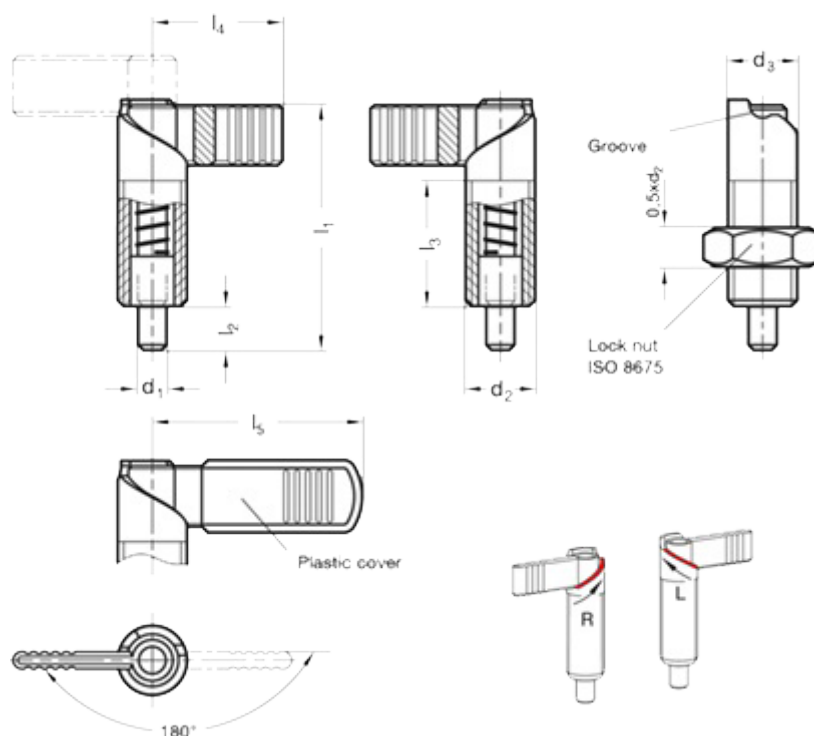


Article number: 2072168M1615LBK  
Description: E+G indexing plunger  
GN 721.5-8-M16x1,5-LBK

## Measures



d1 = 8  
d2 = M16x1.5  
d3 = 16  
l1 = 56  
l2 = 10  
l3 = 30  
l4 = 32  
l5 = 42

Spring load in N end = 11  
Spring load in N top = 29  
Weight in (g) = 190